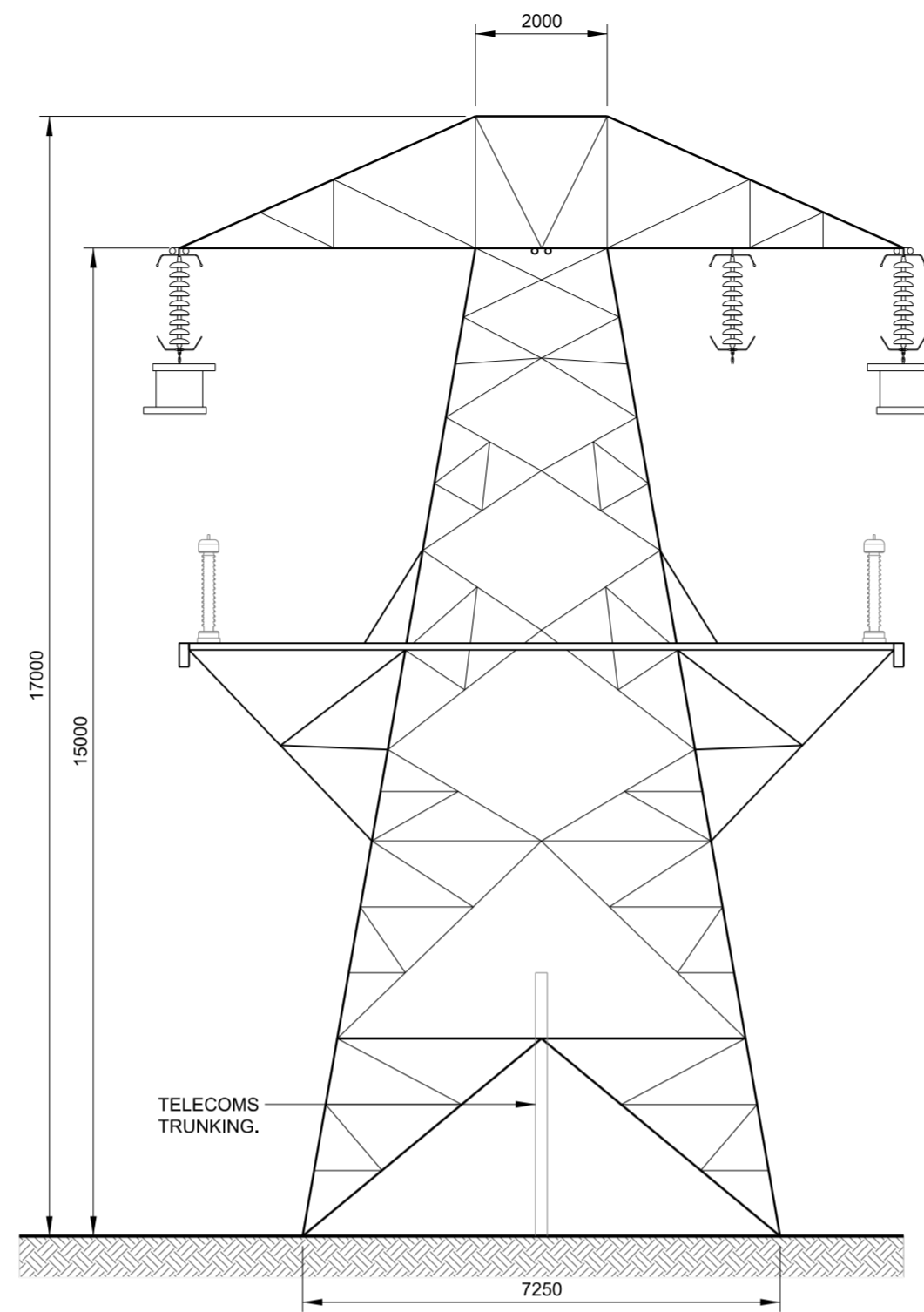
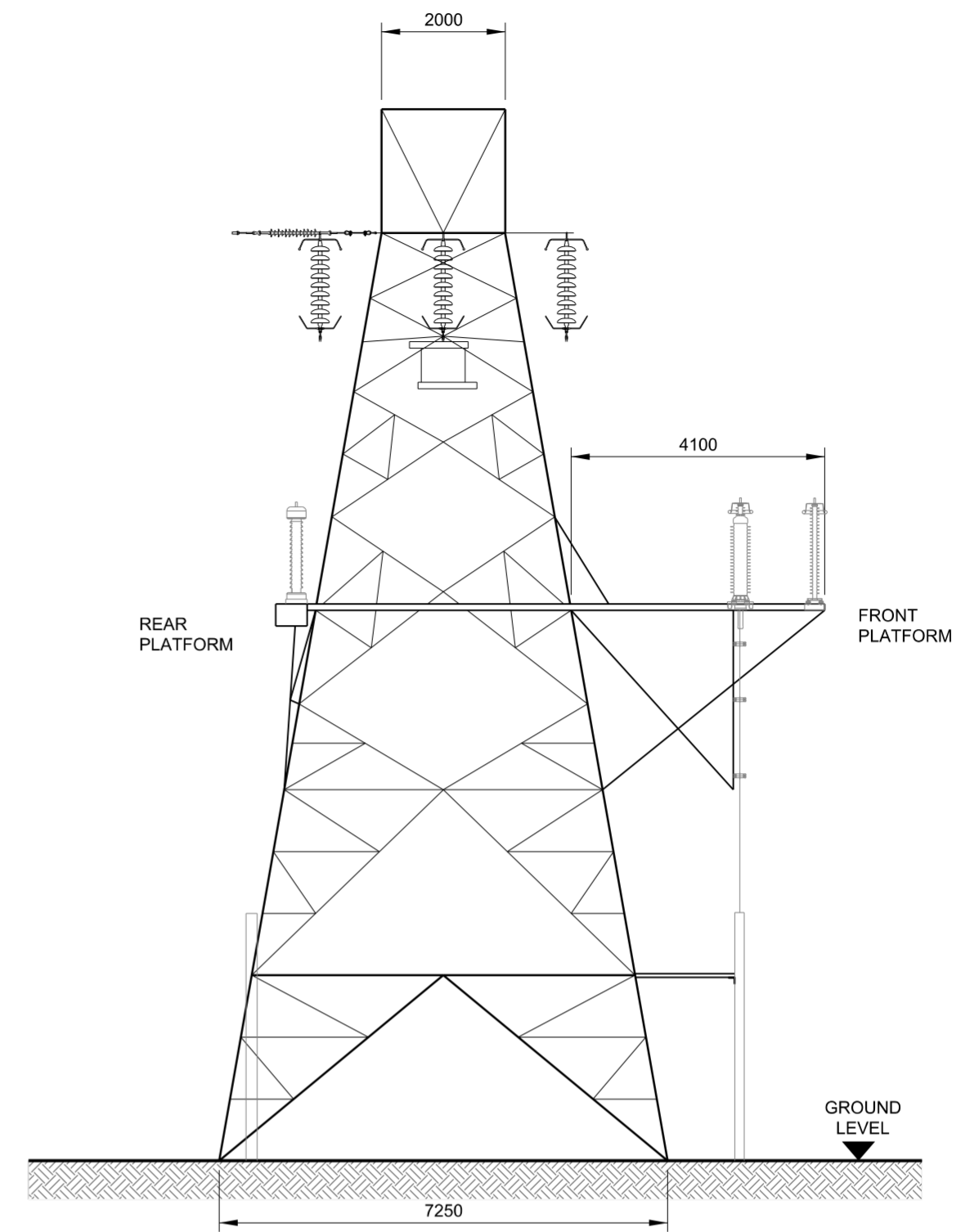


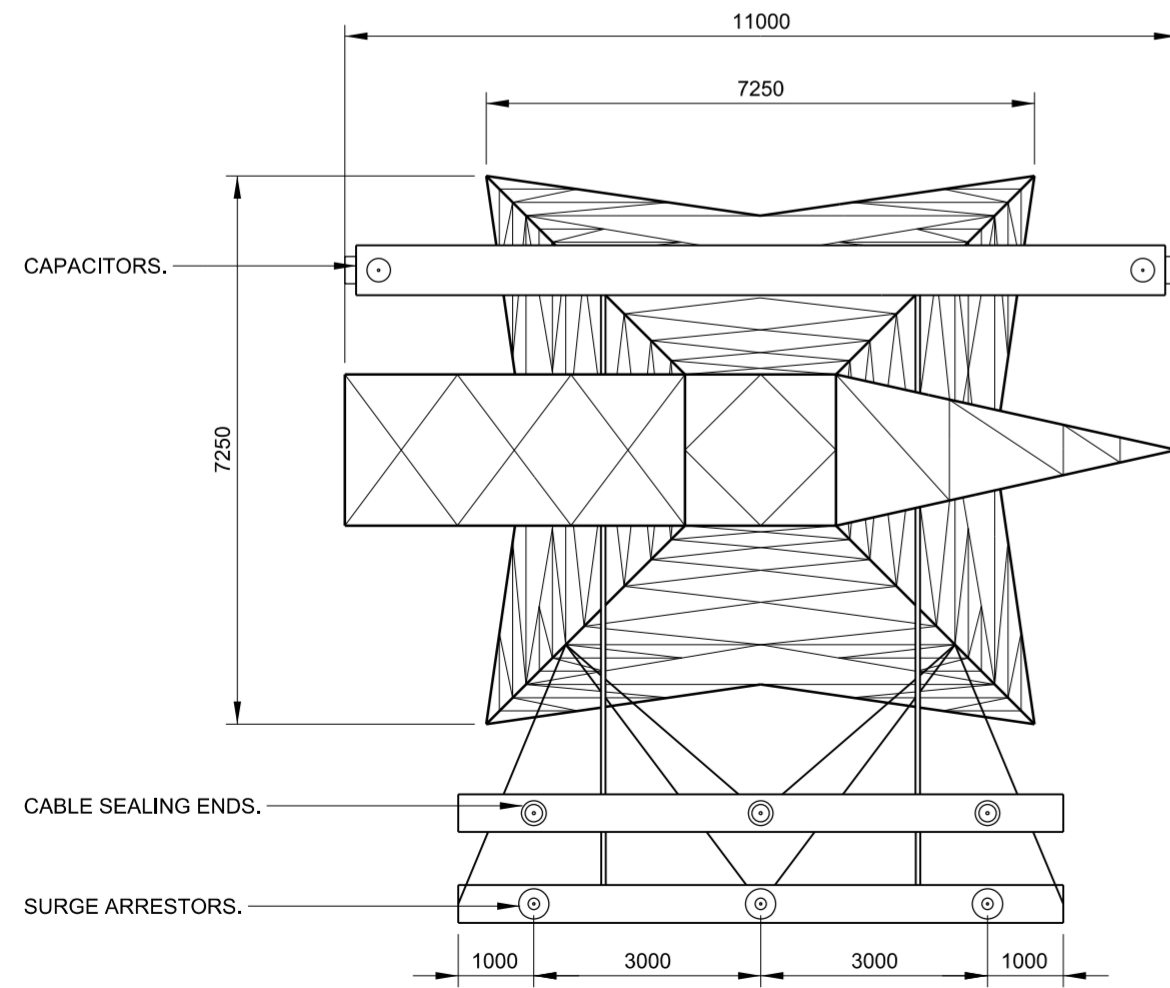
FRONT ELEVATION
SCALE 1:100
(REAR PLATFORM REMOVED FOR CLARITY)



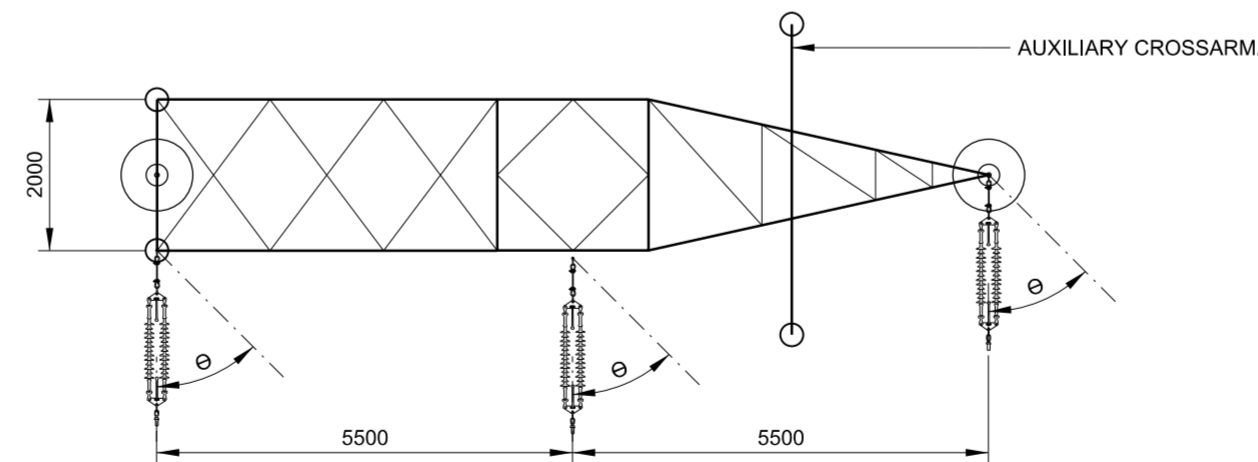
REAR ELEVATION
SCALE 1:100
(FRONT PLATFORM REMOVED FOR CLARITY)



SIDE ELEVATION
SCALE 1:100



PLAN VIEW
SCALE 1:100
(INSULATORS & AUXILIARY CROSSARM REMOVED FOR CLARITY)



SECTION A
SCALE 1:100

NOTES:

- FOR DETAILS OF ANTI-CLIMBING GUARD WHICH MAY ATTACH TO THIS TOWER, SEE DRAWING No. PG567-D020-276 SHEETS 1, 2 & 3.
- THIS DRAWING IS INDICATIVE OF THE ASSEMBLY OF ANCILLARY EQUIPMENT ON THE LINE / CABLE INTERFACE MAST.
- EQUIPMENT AND EQUIPMENT LAYOUT MAY CHANGE DEPENDING ON TOWER AND EQUIPMENT SUPPLIERS.
- LATTICE STEEL TOWER WILL HAVE INTERNAL BRACING WHICH WILL VARY DEPENDING ON SUPPLIER.
- FOR OUTLINE DRAWING OF TOWER FOR PLANNING APPLICATION WITHOUT A LINE CABLE INTERFACE PLATFORM, REFER TO PG567-D004-477-002.
- FOR SHIELDWIRE VERSION OF TOWER, REFER TO PG567-D04-200-001.
- ORIENTATION OF INSULATOR θ IN PLAN WILL VARY FROM 0° - 45° FOR EACH TOWER LOCATION.
- ALL DIMENSIONS IN MILLIMETRES UNLESS STATED OTHERWISE.
- ACTUAL DIMENSIONS MAY BE LESS THAN SHOWN ON DRAWING, DEPENDING ON TOWER SUPPLIER.

003	TITLEBLOCK UPDATED						
002	04/12/17 PLATFORM CANTILEVER REVISED FROM 3500 TO 4100 ADDITIONAL PLATFORM BRACING ADDED	AK	DT	PE	BG		
001	17/10/14 NOTES AND DIMENSIONS AMENDED	EL	DT	PE	PE		
000	15/03/13 INITIAL REVISION	EL	DT	PE	PE		
Rev.	Date	Revision Description	Dm.	Prod.	Ver.	App.	

Purpose of issue - Preliminary unless indicated
 Client Approval Planning Tender Construction As-built

ESB INTERNATIONAL
 One Dublin Airport Central,
 Dublin Airport, Cloughran, Co. Dublin
 Tel: 353 1 703 8000 Email: marketing@esbi.ie
 Web: www.esbinternational.ie
 ESB International is a trading name of
 ESB Engineering & Facility Management Ltd.
 Registered Office: as above
 Registered in Ireland No. 155249

Client	ESB NETWORKS
Project	Materials
Contract	

Production Unit	High Voltage Engineering
Drawing Title	110kV LINES OUTLINE DRAWING FOR PLANNING APPLICATION SINGLE CIRCUIT L/C INTERFACE TOWER WITHOUT SHIELDWIRE T15 - MAX HEIGHT 17m

DRAWN E.Lawlor					PRODUCED D.Tuohy		VERIFIED P.Ennis		APPROVED B.Gallagher		APPROVAL DATE 22/08/2018	
CLIENT REF TC209885					No. OF SHEETS -		SIZE A2		SCALE 1:100		SHEET REV PG567-D004-516-001-003	